

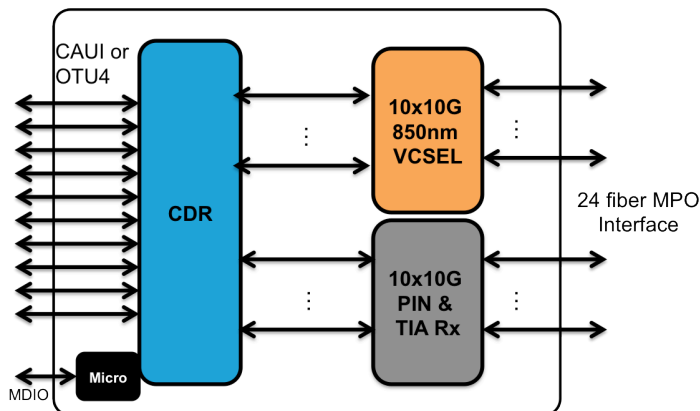


100Gbps SR-10 850nm CFP Transceiver P/N 6SR0P0x-0850



Description

Menara Networks' 6SR0P0x-0850 CFP transceivers are designed for use in 103.125 Gbps 100GE to 111.809 Gbps OTU-4 links up to 300m over OM3 or 400m over OM4 multimode fiber. The CFP module supports 10 850nm wavelengths, each operating from 10.3125 Gbps to 11.1809 Gbps line rates for Ethernet Switches, IP Routers or ODU switch optical interfaces. Digital Optical Monitoring interfaces are provided via the CFP 10x10 MSA standards compliant MDIO interface.



Management

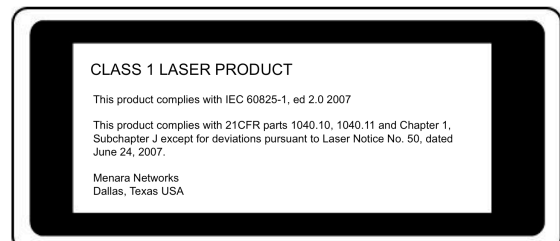
Management of the SR10 CFP is provided via the CFP 10x10 MSA MDIO interface, which supports digital diagnostic monitoring, alarms and loop backs.

Applications

- IP/MPLS and Ethernet Switches and Routers
- ODU Switches
- High Capacity Datacenter Interconnection
- Access and Metro Carrier Ethernet Networks

Features

- Compliant with hot pluggable CFP MSA
- 10x11G full duplex operation
- Maximum link length of 300m on OM3 or 400m on OM4 Multimode Fiber (MMF)
- Retimed CAUI or OTL-4.10 electrical Interfaces
- IEEE 802.3ba 100GBASE-SR10 and OTU4 compatible interfaces
- <8W power consumption
- Integrated digital diagnostic functions
- 0 to 70°C operating range
- Single MPO connector
- ROHS-6 Compliant



Absolute Maximum Ratings

Parameter	Symbol	Min.	Typ.	Max.	Unit	Note
Supply Voltage	V_{CC}	-0.3		3.6	V	-
Storage Temperature	T_S	-20		+85	°C	
Case Operating Temperature	T_{OP}	0		70	°C	
Storage Humidity	RH	5		95	%	
Power Consumption	P_{CON}			8	W	

Transmitter E-O Characteristics

Parameter	Symbol	Min.	Typ.	Max.	Unit	Note
Supported data rate	-	10.3125	-	11.181	Gbps	-
Center Wavelength	λ_c	840	850	860	nm	
Average Optical Power	P_{OUT}	-8	-2.5	+1		
Spectral Width (RMS)	$\Delta\lambda$			0.65	nm	
Extinction Ratio	Er	3	-	-	dB	
Data Input Swing Differential	V_{IN}	120		820	mV	
Input Differential Impedance	Z_{IN}	90	100	110	Ω	
Transmitter Eye Mask	Compliant to IEEE 802.3ba eye mask					

Receiver O-E Characteristics

Parameter	Symbol	Min.	Typ.	Max.	Unit	Note
Supported data rate	-	10.3125	-	11.181	Gbps	-
Center Wavelength	λ_c	840		860	nm	
Receiver Sensitivity	P_{IN}		-12	-9.9	dBm	
Optical Power Saturation	$P_{IN MAX}$	+1			dBm	
Stressed Receiver Sensitivity (OMA)	SRS			-5.4	dBm	
LOS Assert	LOS_A	-12			dBm	
LOS De-Assert	LOS_D			-15	dBm	
LOS Hysteresis		1			dB	
Output Differential Impedance	Z_{OUT}	90	100	110	Ω	
Data Output Swing Differential	V_{OUT}	300		820	mV	

Ordering Information

Part Number	ROHS Compliant	Operating Case Temperature
6SR0P0x-0850	ROHS-6	0 ~ +70°C

x = J for Juniper, x = C for Cisco, x = A for Alcatel, x = O for Cisco ONS

For further information:

menarainfo@menaranet.com

<http://www.menaranet.com>

