



1.25G to 2.67Gbps SFP Transceiver

80km, CWDM ZX/LR-2

P/N AL26A00-CWxx



Description

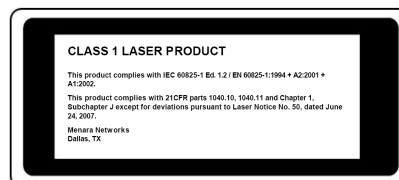
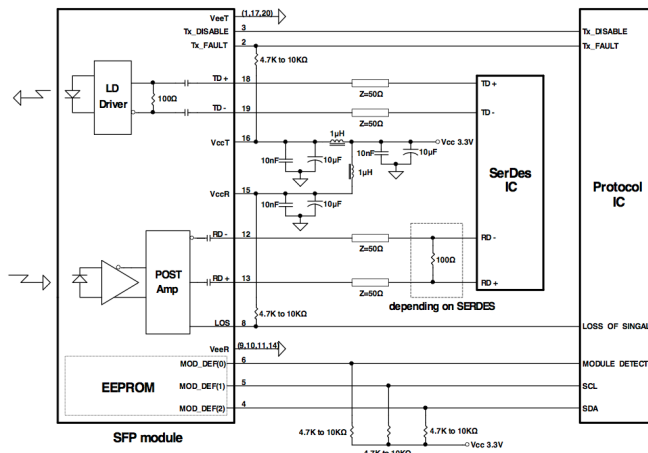
Menara Networks' AL26A00-CWxx transceivers are designed for use in 1Gbps, OC-48 and OTU-1 CWDM links up to 80km over single mode fiber. The SFP module supports IEEE 802.3ae 1000BASE-(E)ZX applications along with SONET OC-48 LR-2 and Fiber Channel 1x SM-LC-L FC-PI applications for Ethernet Switches or IP Router optical interfaces. Digital Optical Monitoring interfaces are provided via the SFP SFF-8472 standards compliant I²C interface.

Applications

- 80km GbE, OC-48 or OTU-1 DWDM switch transmission interconnection
- Long distance, multi-channel Ethernet Switch or IP Router bandwidth expansion

Features

- Hot-pluggable SFP footprint
- Up to 2.67Gbps bit rates
- CWDM transmitter supporting 18 CWDM channels per fiber pair
- APD receiver for greater range
- Single 3.3V power supply
- Power dissipation < 1W
- 0°C to +70°C and -40°C to +85°C Temperature Ranges
- Duplex LC fiber connectors
- 1000BASE-(E)ZX
- SONET OC-48 LR-2
- 1G FC SM-LC-L FC-PI
- Full Digital Optical Monitoring
- Metal enclosure for lower EMI
- Complies with RoHS directive (2002/95/EC)
- Compliant with SFP MSA SFF-8472 and SFF-8074
- Laser Class 1 IEC/CDRH compliant
- Links of 80km or 120km with 9/125 μm single mode fiber (SMF) of maximum interconnect distances



Transmitter E-O Characteristics

Parameter	Symbol	Min.	Typ.	Max.	Unit	Note
Support data rate	-	0.155		2.67	Gb/s	-
Center Wavelength	λ_c	1270		1610	nm	
Wavelength Stability after Startup	$\Delta\lambda_{EOL}$	$\lambda_c - 5.5$	λ_c	$\lambda_c + 7.5$		
Spectral Width (RMS)	$\Delta\lambda$	-	-	1	nm	-
Side Mode Suppression Ratio	SMSR	30			dB	
Average Optical Output Power	Po	0	-	5	dBm	
Extinction Ratio	Er	9	-	-	dB	
Eye Mask Margin	-	10	-	-	%	
Output Eye Diagram	Compliant with SFP MSA					

Receiver O-E Characteristics

Parameter	Symbol	Min.	Typ.	Max.	Unit	Note
Support data rate	-	0.155		2.67	Gb/s	-
Operating Wavelength	-	1200	-	1620	nm	-
Receiver sensitivity @ 1.25Gbps	S _{en1}	-	-	-30	dBm	1
Receiver sensitivity @ 2.67Gbps	S _{en2}	-	-	-28	dBm	1
Saturation (120km)	P _{sat}	-9	-	-	dBm	
Receiver Optical Return Loss	-	-	-	-27	dB	-
LOS Asserted (EOL) (120km)		-40	-	-	dBm	
LOS Hysteresis (EOL)		1.0	-	5.0	dB	

Notes:

1. PRBS 2²³-1 at 10⁻¹² BER

Ordering Information

Part Number	ROHS Compliant	Operating Case Temperature
AL26A0y-CWxx	ROHS-6	0 ~ +70°C
AL26A1y-CWxx		0 ~ +85°C
AL26A2y-CWxx		-40 ~ +85°C

xx = CWDM Wavelength. See bold in table below for details.

y = Compatibility; J = Juniper, A = AlcatelLucent, C = Cisco, O = Cisco ONS, N = Ciena, F or 9 = Fujitsu

CWDM Wavelength	Latch Color
1270	Grey
1290	Violet
1310	Blue
1330	Green
1350	Yellow
1370	Orange

CWDM Wavelength	Latch Color
1390	Red
1410	Brown
1430	Black
1450	Gold
1470	Gray
1490	Violet

CWDM Wavelength	Latch Color
1510	Blue
1530	Green
1550	Yellow
1570	Orange
1590	Red
1610	Brown

menarainfo@menaranet.com

www.menaranet.com