



155Mb/s SFP Transceiver LR1 P/N AL12P0x-1310 (40km)



Description

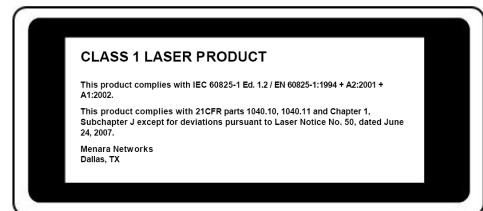
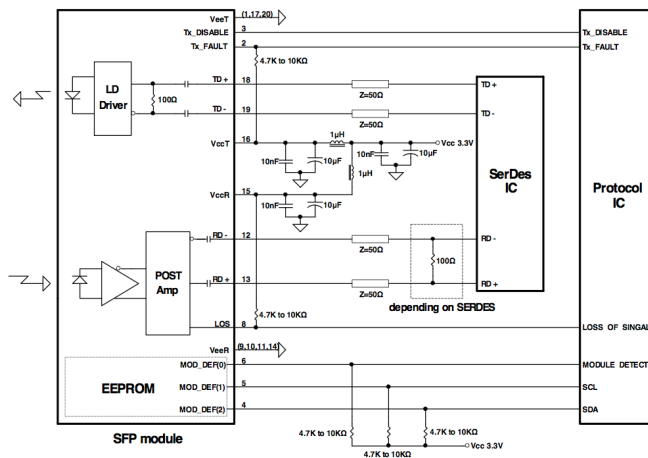
Menara Networks' 155Mb/s AL12P0x-1310 SFP is designed for use in OC-3 SONET LR1 and STM-1 L-1.1 1310nm links up to 40km over 9/125µm singlemode fiber. The use of a 1310nm transmitter provides a low cost transport optic option for SONET/SDH transport. Digital Optical Monitoring interfaces are provided via the SFP SFF-8472 standards compliant I²C interface.

Applications

- 155Mb/s 40km transmission distance over 9/125µm singlemode fiber
- SONET/SDH transport

Features

- Hot-pluggable SFP footprint
- 155Mb/s bit rates
- 1310nm Fabry Perot transmitter
- Single 3.3V power supply
- Power dissipation < 1W
- 0°C to +70°C or -40°C to +85°C
- Duplex LC fiber connectors
- SONET OC-3 LR-1 compliance
- SDH STM-1 L-1.1 compliance
- Full Digital Optical Monitoring
- Metal enclosure for lower EMI
- Complies with RoHS directive (2002/95/EC)
- Compliant with SFP MSA SFF-8472 and SFF-8074
- Laser Class 1 IEC/CDRH compliant
- Links of 40km over 9/125µm singlemode fiber



Transmitter E-O Characteristics

Parameter	Symbol	Min.	Typ.	Max.	Unit	Note
Support data rate	-		155		Mb/s	
Center Wavelength	λ	1260	1310	1360	nm	
Spectral Width (RMS)	$\Delta\lambda$			4	nm	
Average Optical Output Power	P _o	-5		+0	dBm	1
Extinction Ratio	E _r	9			dB	
Optical Rise/Fall Time (20%~80%)	tr/tf			1.3	ns	
Data Input Swing Differential	V _{IN}	300		1860	mV	2
Input Differential Impedance	Z _{IN}	90	100	110	Ω	
TX Disable	Disable	2.0		V _{CC}	V	
	Enable	0		0.8	V	
TX Fault	Fault	2.0		V _{CC}	V	
	Normal	0		0.8	V	

1. The optical power is launched into SMF
2. PECL input, internally AC-coupled and terminated

Receiver O-E Characteristics

Parameter	Symbol	Min.	Typ.	Max.	Unit	Note
Support data rate	-		155		Mb/s	
Operating Wavelength	λ	1260		1580	nm	
Receiver sensitivity	S _{en}			-34	dBm	3
Saturation	P _{sat}	-3			dBm	3
LOS Assert	LOS _A	-45			dBm	
LOS Deassert	LOS _D			-36	dBm	
LOS Hysteresis		1		4	dB	
Data Output Swing Differential	V _{OUT}	400		1800	mV	4
LOS	High	2.0		V _{CC}		
	Low	0		0.8	V	

3. Measured with a PRBS 2²³-1 test pattern @ 155Mbps, BER ≤ 1×10⁻¹⁰
4. Internally AC coupled

Ordering Information

Part Number	ROHS Compliant	Operating Case Temperature
AL12P0x-1310	ROHS-6	0°C ~ +70°C
AL12P2x-1310		-40°C ~ +85°C

x = J for Juniper
x = C for Cisco
x = A for Alcatel
x = O for Cisco ONS



menarainfo@menaranet.com

www.menaranet.com